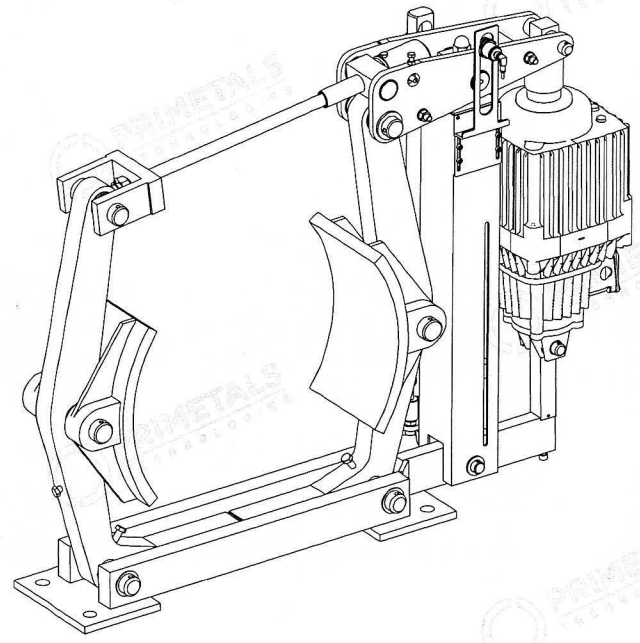
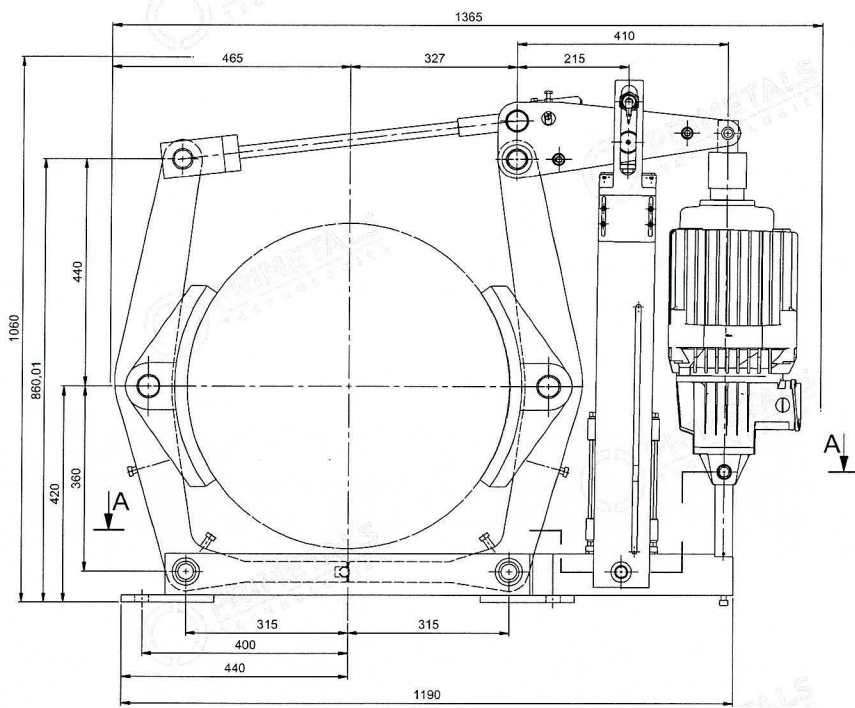
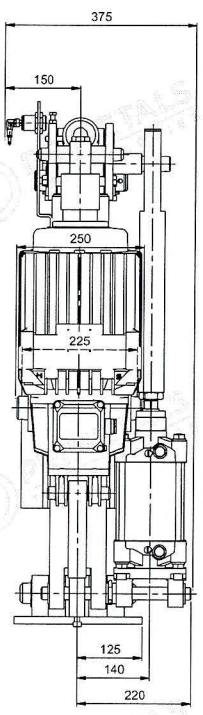
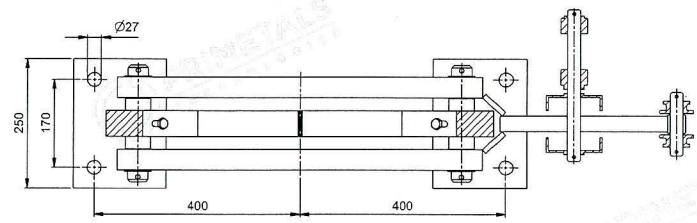


TECHNICAL DATA	
Brake Type	TE-S 630/301/6
Trustor Type	ED 301/6
Drum Diameter	Ø630 mm
Torque	500-8200 Nm
Electr. Supply	440V / 60Hz
Sensor open	IFM - GI711S



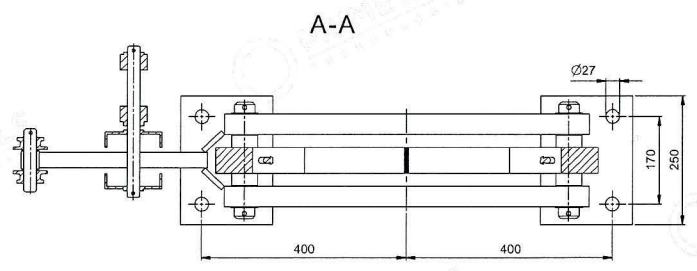
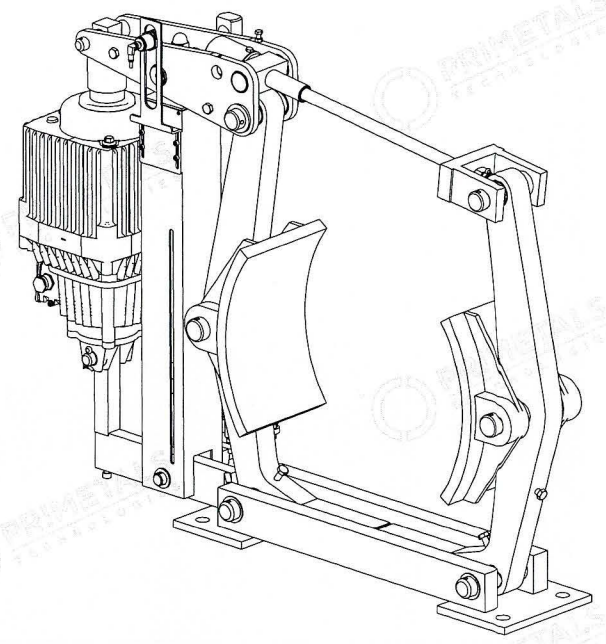
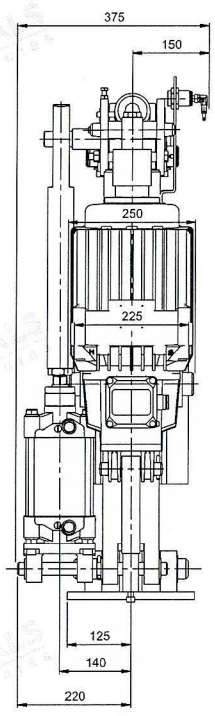
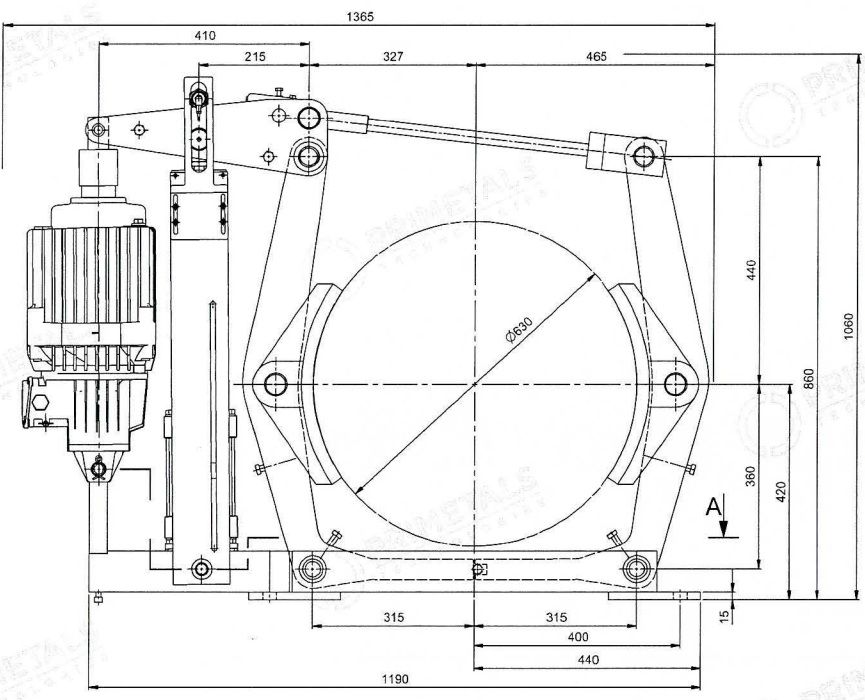
A-A



The material of the present document is to be used only for the purpose of information and not for the design of any machine or equipment. It is not intended to be used as a basis for the design of any machine or equipment. It is not intended to be used as a basis for the design of any machine or equipment. It is not intended to be used as a basis for the design of any machine or equipment.

SIBRE Siegerland Bremsen GmbH
 Auf der Stücke 1-5
 D-35708 Haiger
 27.07.23

TECHNICAL DATA	
Brake Type	TE-S 630/301/6
Trustor Type	ED 301/6
Drum Diameter	Ø630 mm
Torque	500-8200 Nm
Electr. Supply	440V / 60Hz
Sensor open	IFM - GI711S



The content of this document is valid only for the conditions and the production site of the present document. It is not to be used for other conditions or production sites. In particular, the use of this document for other conditions or production sites is prohibited. The user is responsible for the correct use of this document.

SIBRE Siegerland Bremsen GmbH
 Auf der Stücke 1-5
 D-35708 Haiger
 27.07.23